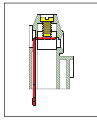
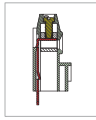


MB332 PCB Terminal Block, Single Mold



MB332-381B



MB332-381B..H

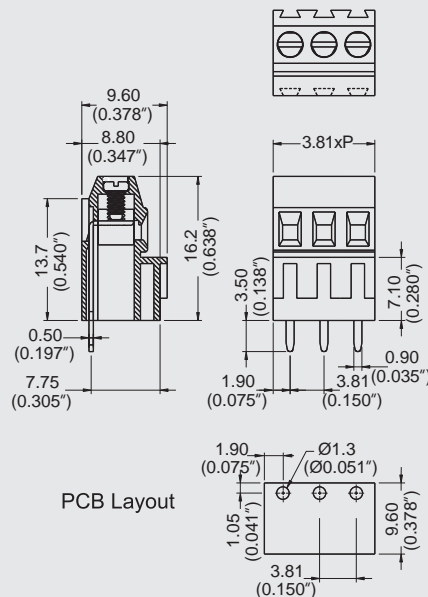


MB

DIMENSIONS/POSITIONS		MB332-381B	MB332-381B..H
間距	Pitch	3.81mm	3.81mm
位數	Poles	2 ~ 24Poles	2 ~ 16Poles
塑膠本體	Housing Material	PA 66	PA 66
壓線圈	Cage Clamp	Brass, Tin Plated	Brass, Tin Plated
端子	Contact	Brass, Ni Plated	Brass, Ni Plated
螺紋	Screw Thread	M2.0, Steel, Zinc Plated	M2.0, Steel, Zinc Plated
電線線徑	Wire Size	16 ~ 26AWG	14 ~ 30AWG
剝線長度	Wire Strip Length	5mm	5mm
PCB孔徑	PCB Hole Diameter	1.3mm	1.3mm
最大緊固扭矩	Tightening Torque, Max.	2.0 Lb-in	2.0 Lb-in
環境作業溫度	Operating Temperature	-40°C to +105°C	-40°C to +105°C

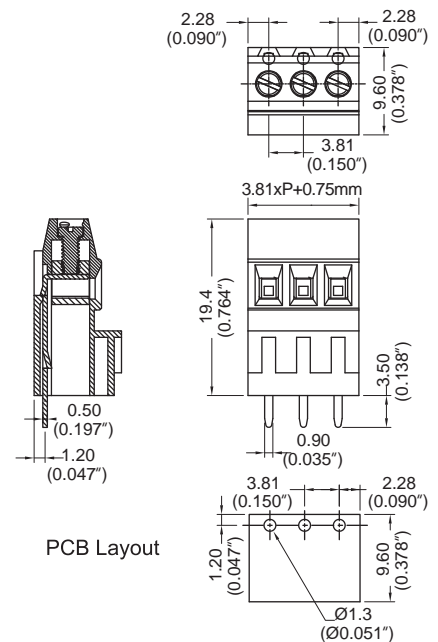
TECHNICAL DATA

連接符合標準 Connection in acc. with standard EN-VDE			
額定電流 I _n	Nominal Current I _n	10A	10A
額定橫截面	Nominal Cross Section	1.5mm ²	1.5mm ²
最大負載電流	Maximum load current	10A	10A
絕緣材料	Insulating Material	PA	PA
阻燃等級,符合UL94 Inflammability class acc. to UL94		V0	V0
額定電壓,UL/CUL Nominal voltage, UL/CUL		300V	300V
額定電流,UL/CUL Nominal current, UL/CUL		10A	10A



PCB Layout

Note:
Screw Plating: Changes are available upon request



PCB Layout